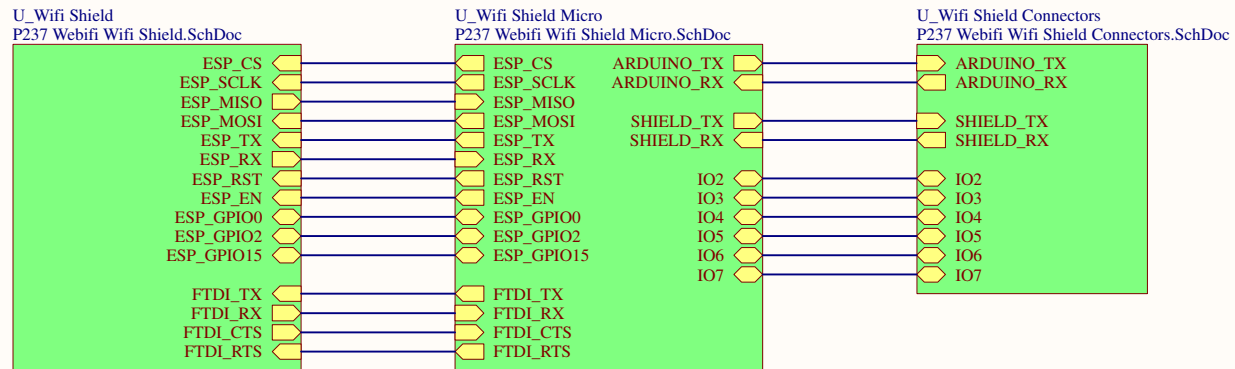

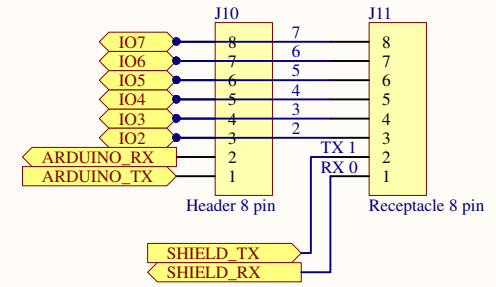
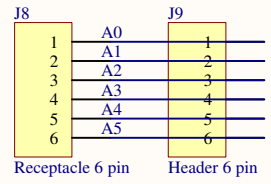
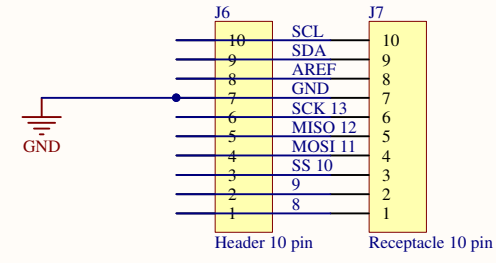
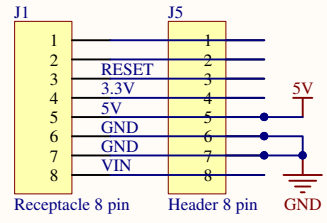



Revision History:

Rev A:
First design



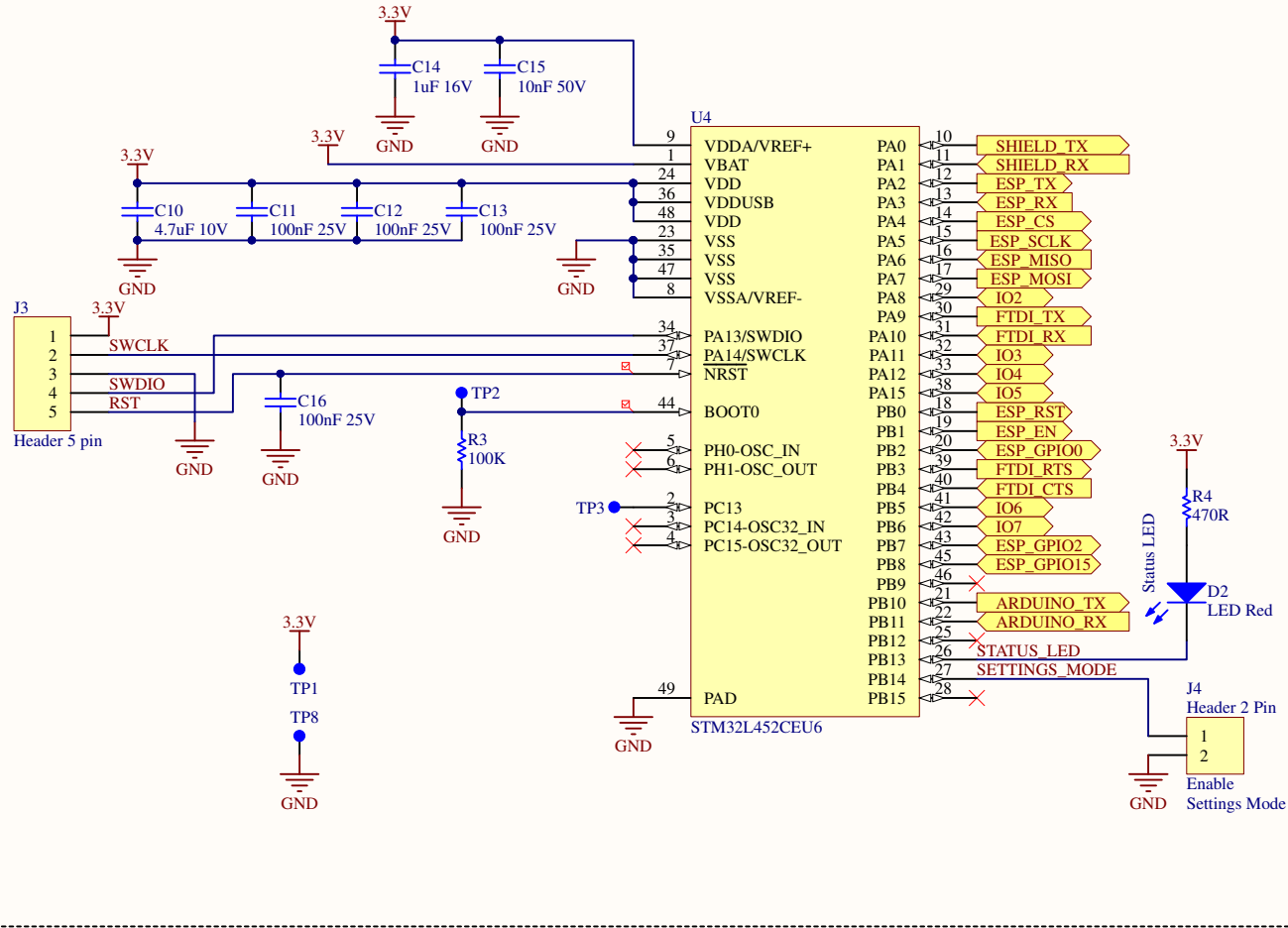
			Title		Wifi Shield - Top Level	
			Size	Number	Revision	
			A4	P237	A	
			Date:	17/07/2018	Sheet 1 of 1	
			File:	C:\Dropbox\..P237 Webifi Wifi Shield Top Level.Bsp.Doktschko		





Title Wifi Shield - Connectors		
Size A4	Number P237	Revision A
Date:	17/07/2018	Sheet 1 of 1
File:	C:\Dropbox\..P237 Webifi Wifi Shield Connector Schematic	

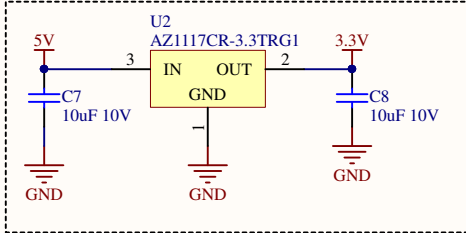
STM32 Micro Controller



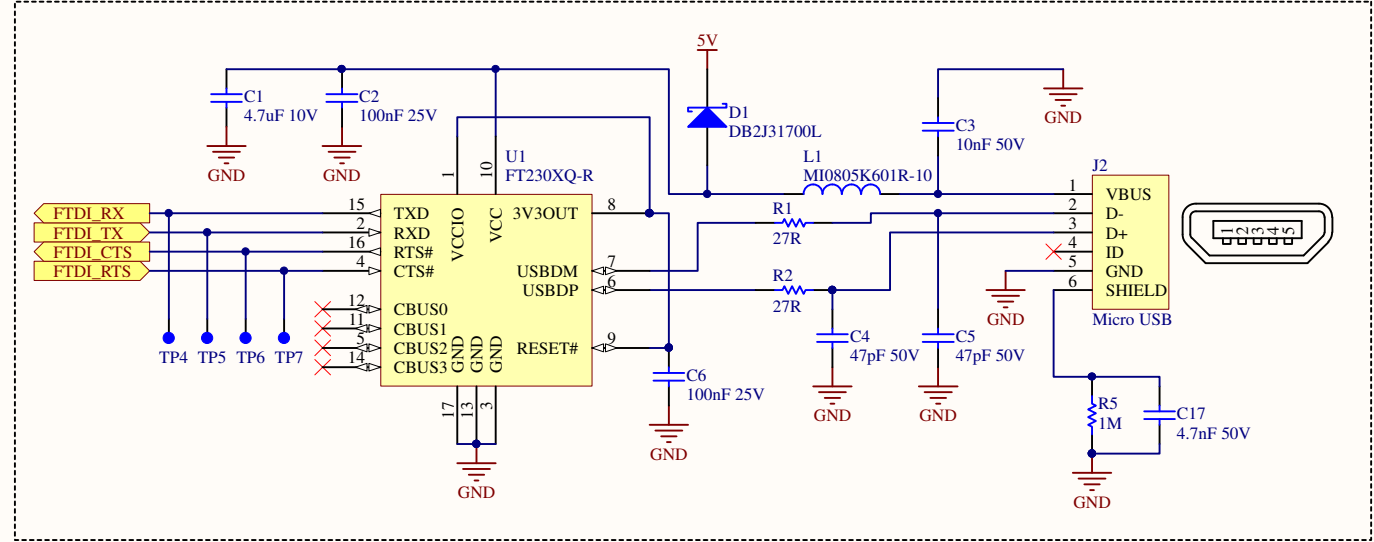
Peripherals used:
 FTDI UART (ISP): UART1
 WIFI (ESP) UART: UART2
 ARDUINO UART: UART3
 SHIELD UART: UART4
 ESP12-F SPI: SPI1

Title: Wifi Shield - Micro		
Size: A4	Number: P237	Revision: A
Date: 17/07/2018	Sheet 1 of 1	
File: C:\Dropbox\..P237 Webifi Wifi Shield MicroShieldDoc\H Jetschko		

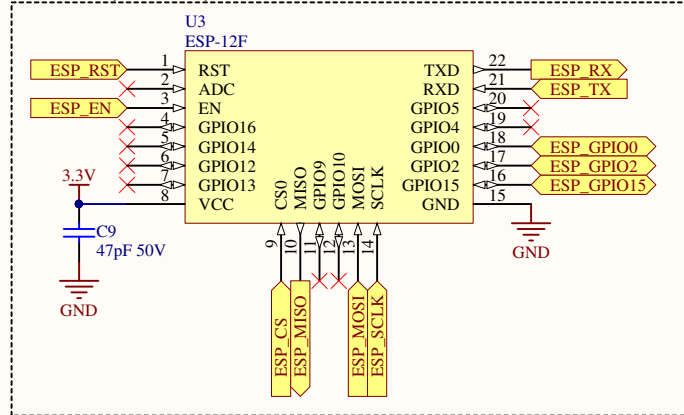
Power



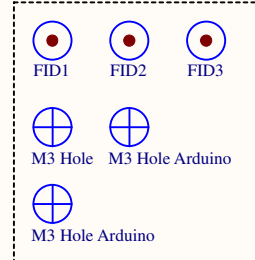

FTDI USB Interface



ESP8266 (ESP12-F) WIFI Interface



Mechanical

Title			Wifi Shield		
Size	Number	Revision			
A4	P237	A			
Date:	17/07/2018	Sheet 1 of 1			
File:	C:\Dropbox\...P237 Webifi Wifi Shield.Sch				

Download By: H Jetschko